



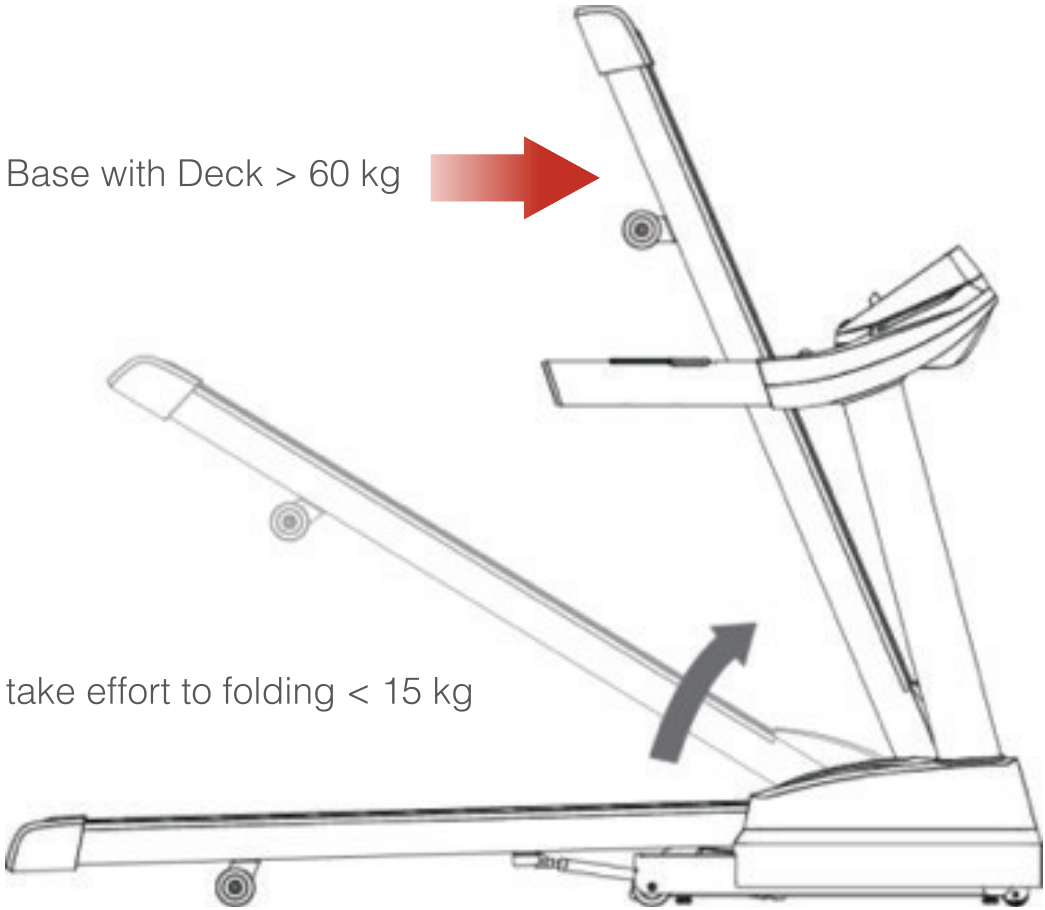
FEATHERLIGHT FOLDING





Treadmill

User could operates effortlessly with our hydraulic folding system, even though the female user can operates easily, too. When unfolding, deck will be very gentle speed fall, there will be no danger because hydraulic folding system.





Horizon Elliptical (New Andes Series)

Andes series elliptical has patents for gas-assisted shock supports the weight of the frame when lifting or lowering the frame and hydraulic folding system operates effortlessly.

These front-drive elliptical with spacing-saving convenience of folding equipment by one-step.





Johnson's Product has Smaller Folding Space with Single Step

Johnson's



Others'

